

EXERCISE 2

2.1 If the maximum force that any member can support is 8 kN in tension and 6 kN in compression, determine the maximum force P that can be supported at joint D .

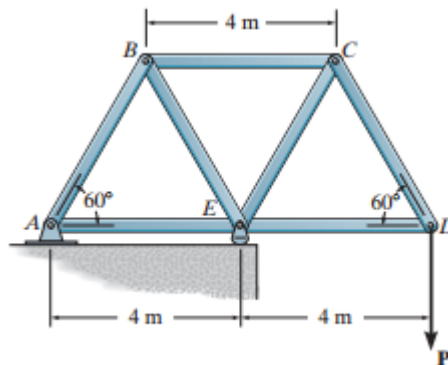


Fig 2.1

2.2 Determine the force in each member of the truss. State if the members are in tension or compression. Assume all members are pin connected.

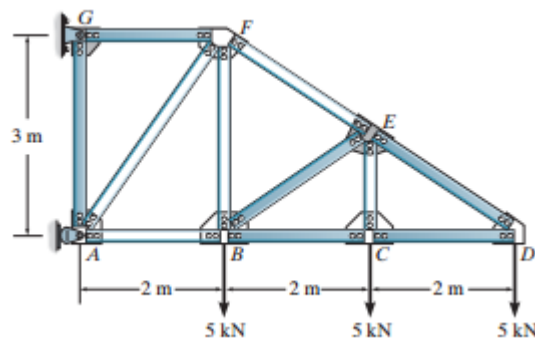


Fig 2.2

2.3 Determine the force in each member of the roof truss. State if the members are in tension or compression. Assume all members are pin connected.

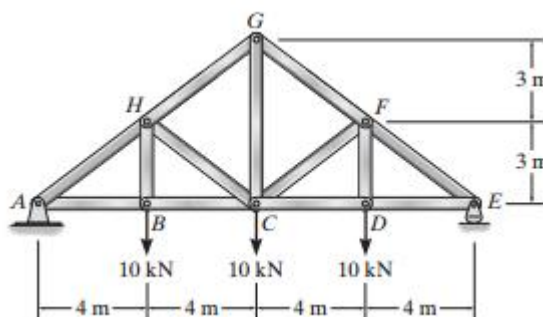


Fig 2.3